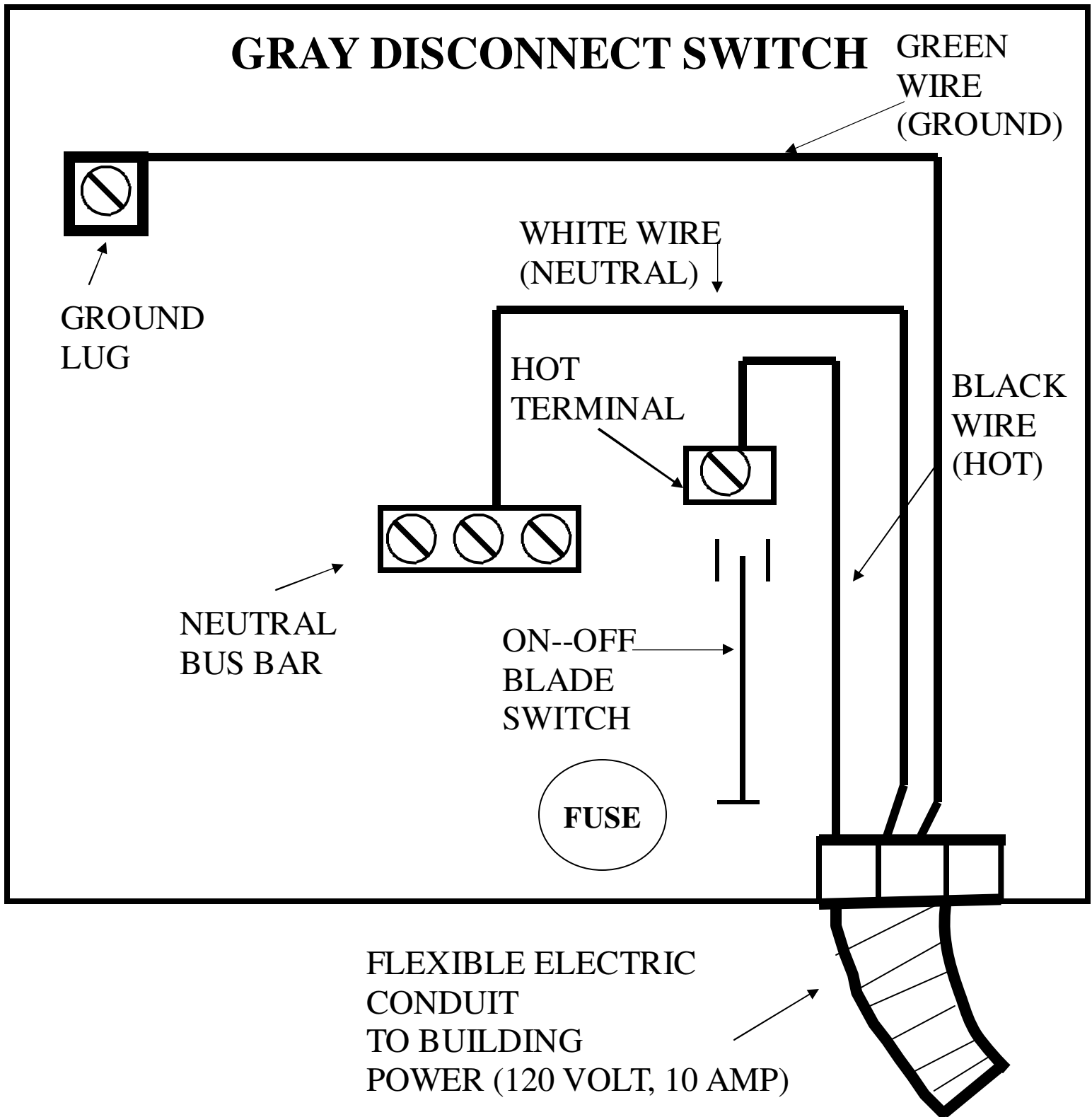


POWER WIRE CONNECTION (120v. SINGLE PHASE) TO MODEL J AUTOMATIC SANDBLAST

GRAY DISCONNECT SWITCH



NOTE: A qualified electrician following all local codes should perform wiring.