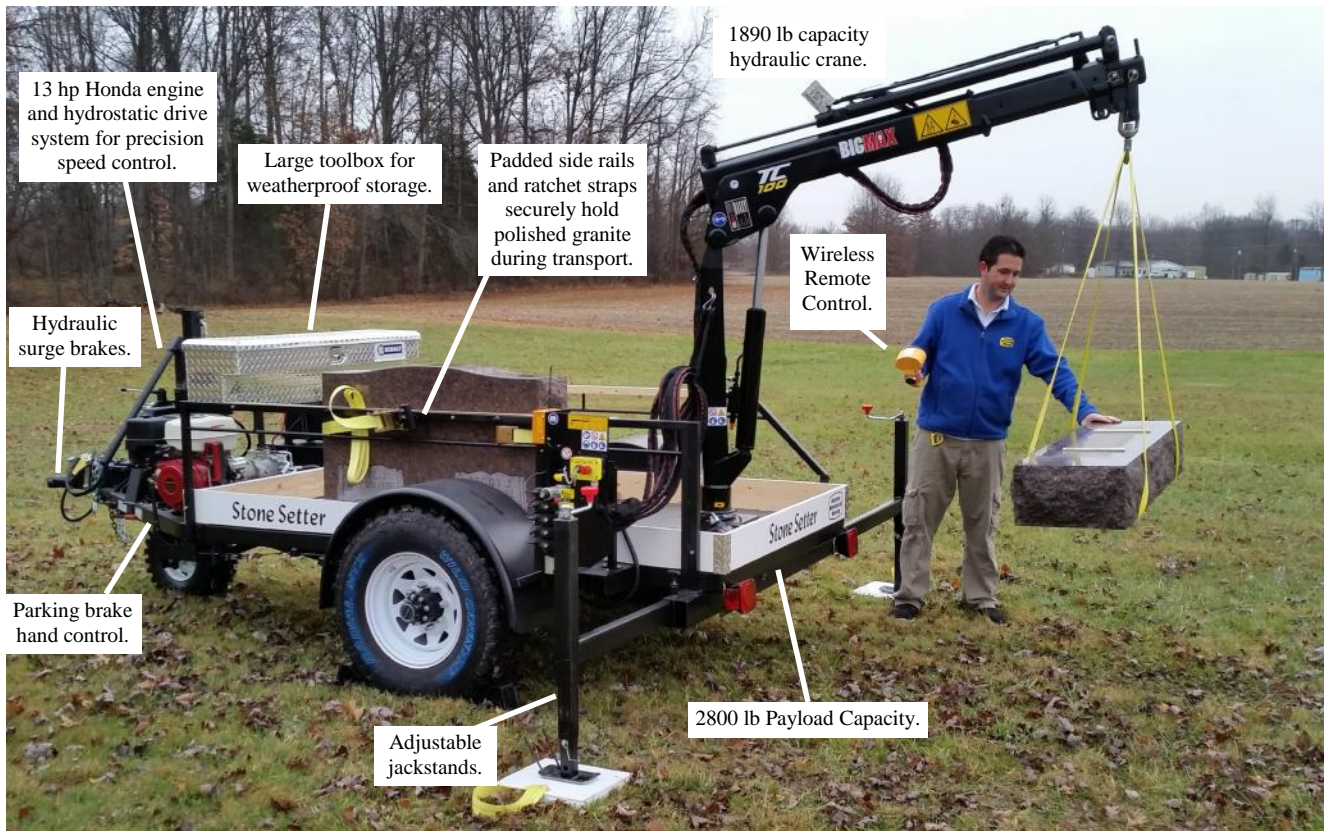




Stone Setter

The *Stone Setter* is a powered trailer designed to lift and carry monuments.



The *Stone Setter* allows one person to do more - quickly, safely, and easily.

- Powered by an electric start 13 hp Honda engine the maneuverable *Stone Setter* can deliver monuments over rough terrain, up inclines, and through narrow passages.
- The padded side rails allow tablets to stand upright during transport.
- The BIGMAX hydraulic crane quickly and easily moves monument pieces.
- Carry all your setting tools and supplies with you in the toolbox to eliminate extra trips carrying tools from the truck to the job and back.
- Eliminate the expense of running a large crane truck with bad fuel economy. Tow the *Stone Setter* with a 1/2 ton pickup truck.
- Large deck space (8' x 4') with 2800 lb payload capacity.
- The *Stone Setter's* chassis is based on the proven burial vault carrier design. You can deliver monuments anywhere the vault company can place a burial vault.

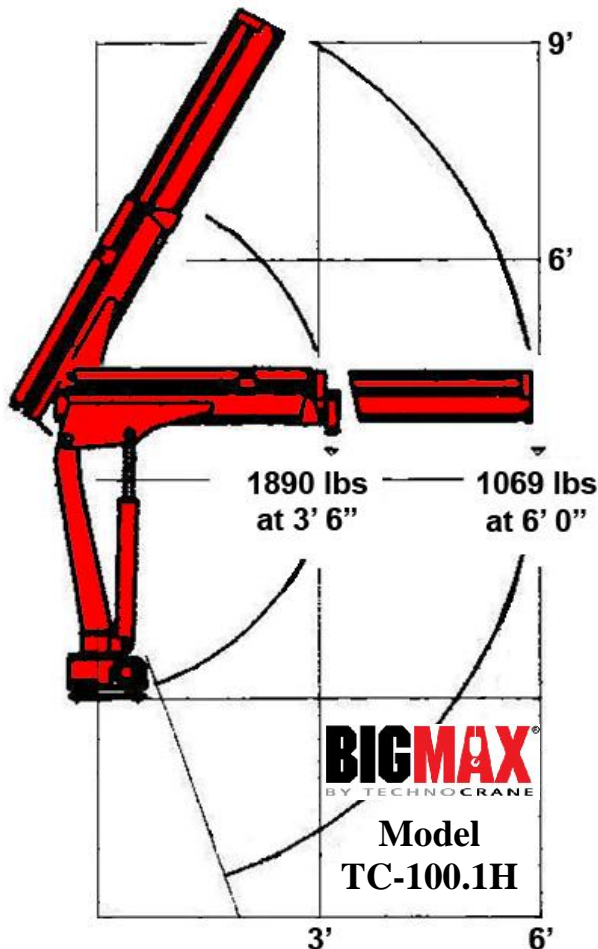


Transporting Monuments

Padded side rails and ratchet straps securely hold polished tablets during transport.



These two double stones weigh 2625 lbs. Max payload is 2800 lbs.



BIGMAX® Crane Features

BY TECHNOCRANE

- Smooth Proportional controls
- Power Rotation
- Power Extension
- Low Maintenance
- Long service life

*Single-handed control of every crane function.
Proportional speed control of any single movement.*



The wireless remote is designed for one hand operation. The operator can keep one hand on the monument to guide it while controlling the crane. The remote controls every crane function.

Stone Setter Specifications:

Overall Dimensions	14' Long X 6' 4" Wide X 6' 1" High
Maximum Weight Rating (GVWR)	5000 lbs
Trailer Capacity	2800 lbs
Empty Weight	2200 lbs
Deck Dimensions	8' Long X 4' Wide
Engine	13 hp electric start Honda GX390.
Ground Speed Control	Proportional hand lever control.
Drivetrain	Hydrostatic with driveshaft disconnect for towing.
Tires	LT 265/75R-16 Load Range E 10 ply Traction Tread
Brakes	On-road hydraulic surge brake and Off-road mechanical parking brake.
Lights	Four wire system with tail lights, brake lights, and turn signals.
Lifting Straps	Two endless loop 2" wide straps.
Tie-down Straps	Two ratchet tensioners with 2" wide straps.
Truck Hitch Requirement	2" ball 5000 lbs. rating.

The *Stone Setter* is constructed of new components for maximum durability.

Price: \$28,900 (*price effective 8-10-2020*)
\$1,400 - Second powered extension option extends reach from 6 feet to 9 feet.



HIRONS MEMORIAL WORKS, INC.

14950 US 68, MT. ORAB, OHIO 45154

(888) 444-6356 TOLL-FREE

(937) 444-2917 VOICE / 444-2646 FAX

www.hironsmemorials.com

Model J Automatic Sandblaster



Abrasive Recovery System

